

sabaudo



ALU



Aluminium Urban Furniture



CITTA' DI TORINO
A.M.I.A.T.

sabaudo

design Studio de Ferrari Architects

SABAUDO, awarded an Honourable Mention at the 1995 "Compasso d'oro" award, is a litter bin which combines clear visual expressiveness with broad application flexibility.

SABAUDO was designed to fit within historical town centres, and with its linear and neutral shape it can be integrated into any setting.

This litter bin is made of die-cast aluminium. The visual impression and reliability of the cast aluminium increases its visual and functional quality.

Its design has been characterized by expressive and functional aspects. A semicircular top surface allows rain water to quickly drip away. Moulded side strips and the surface texture emphasize the linear outline and enhance its material qualities. The design and choice of materials makes it difficult to draw graffiti or engrave inscriptions on this item.

Two identical aluminium die cast bodies together with a concrete base (not visible) form this sculptural object which discourages vandalism.

The two parts can be opened to enable easy replacement of the internal sack. SABAUDO is available in different colours on demand.

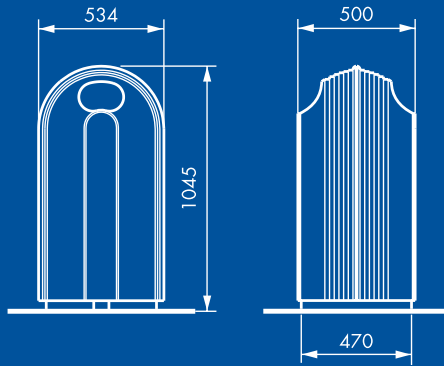


Ashtray kit

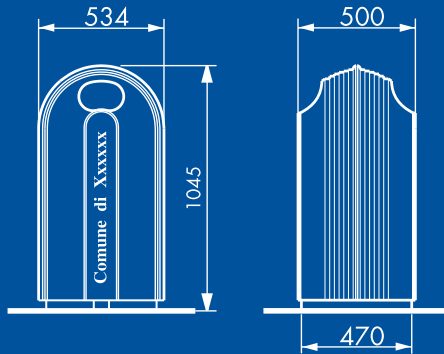
Polyethylene container



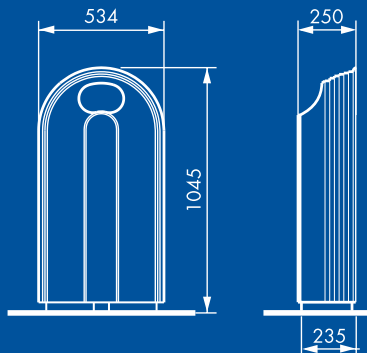
Art. 200111
SABAUDO
 110 lt



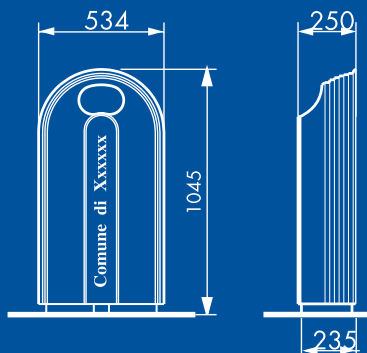
Art. 200112
SABAUDO
 110 lt customized



Art. 200115
SABAUDO
 55 lt



Art. 200116
SABAUDO
 55 lt customized







TLF s.r.l.

I - 52010 CORSALONE (AR)

Via del Molino, 42

Tel.: 0575.53171

Fax: 0575.5317200

http: www.tlf.it

E-Mail: info@tlf.it

